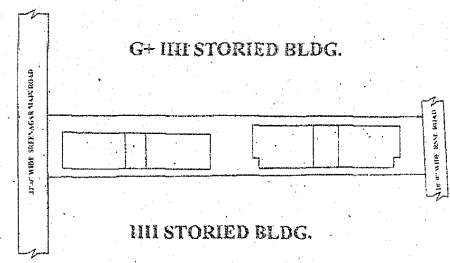


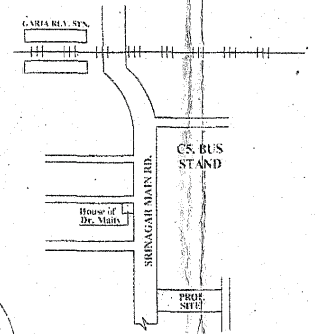
FRONT ELEVATION

BACK ELEVATION

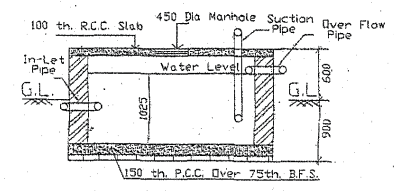
SECTION AT - A-A  
BLOCK - B



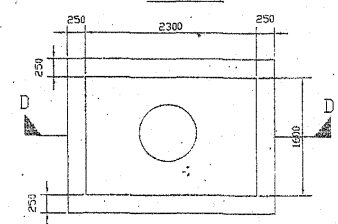
SITE PLAN  
(SCALE - 1:600)



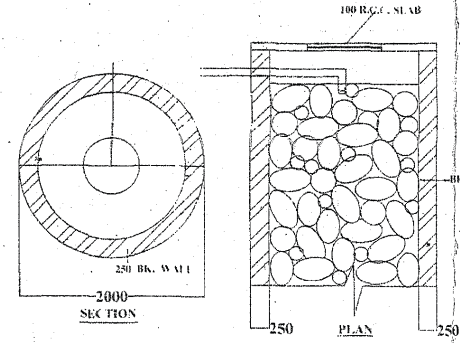
KEY PLAN  
SCALE 1:4000



Section



Plan of



DETAILS OF SOAK PIT

SK EDUCATIONAL PRODUCT